

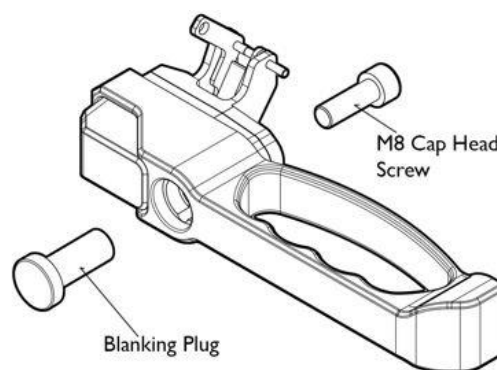
LODE LANE ALUMINIUM DOOR HANDLES

Land Rover Puma Defender

Part Number: EXT01431 & EXT01432

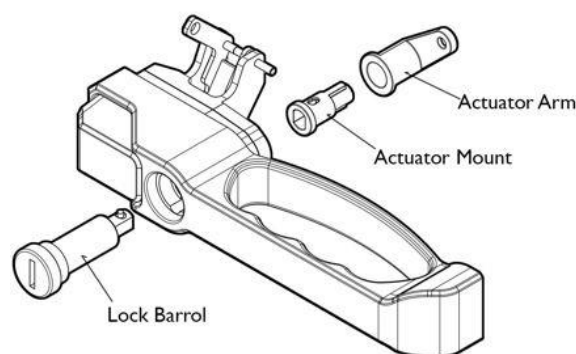
FITTING THE LOCK BLANKING PLUG

Simply push the blanking plug into the lock hole and secure in place with the supplied M8 cap head screw.



FITTING THE LOCK BARREL

Remove the lock barrel and fittings from your old handle. These will be held in either a small cir-clip or screw. Push the lock barrel into the new handle, you may find this easier with the key in the lock to retract the pins. Next fit the actuator mount and arm. Secure in place with the cir-clip or screw.



To watch the fitting video, scan the QR code with your mobile camera. Or visit: youtube.be/16DSMiyfMVg



QUALITY PARTS AND ACCESSORIES



Triumph House, Sleaford Road, Bracebridge Heath, Lincoln LN4 2NA, England

UK Tel: +44 (0)1522 568000 | USA Tel: 1 855 746 2767 | Fax: +44 (0)1522 567600 | E-mail: sales@rimmerbros.com

www.rimmerbros.com